


Required Tools:

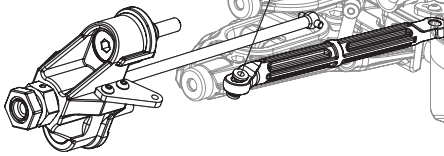
- 1.5 Hex Driver
- 2.0 Hex Driver
- Thread-locker 

Finish Before:

- Front Skid Plate

STEP 1


BH M3x10
C-3003-30-10

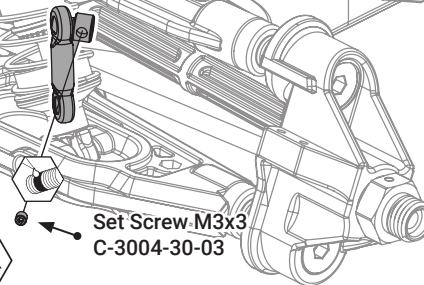


L=R

STEP 2

BH M3x16
C-3003-30-16

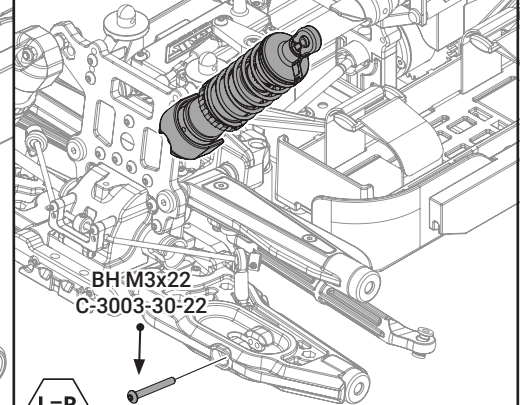
 Steering Link
is not shown for clarity.



L=R

STEP 3

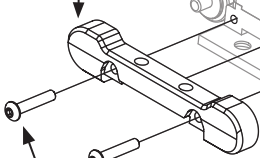
BH M3x22
C-3003-30-22



L=R

STEP 4

C-00180-874



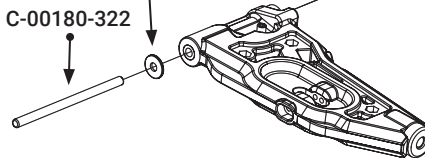
BH M3x16
C-3003-25-16

L=R

STEP 5

M4 Washer
C-3201-40

C-00180-322



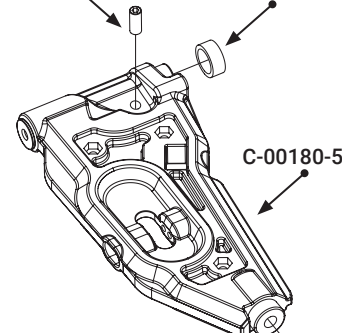
L=R

STEP 6

Set Screw M4x8
C-3004-40-08

C-00180-531

C-00180-527



C-00180-532

L=R